

Programmable Logic Controllers

# EH-150 Series

Modular Compact PLC

**HITACHI**  
Inspire the Next



- Various communication options
- Economic
- Various models
- Individually adaptable to customer requirements thanks to high-performance CPU and specialised I/O modules
- Up to 3520 I/Os
- 2 serial interfaces
- Quality assurance to ISO 9001 and ISO 14001
- 32 Bit-RISC-Microprocessor
- Open for various fieldbus systems: Profibus-DP, DeviceNet, Modbus-RTU, Ethernet

**PROFI**  
PROCESS FIELD BUS  
**BUS**

**DeviceNet.**

**Ethernet**



# Programmable Logic Controllers

## EH-150 Series

Modular Compact PLC

### CPU Modules

Model	Specifications
EH-CPU104A	16 kByte Program memory, 2 x RS-232 (19.2 kbps), max. 8 I/O modules, 1 $\mu$ s cycle time
EH-CPU208A	32 kByte Program memory, real-time clock, 2 x RS-232 (38.4 kbps), max. 16 I/O modules, 1 $\mu$ s cycle time
EH-CPU316A	64 kByte Program memory, real-time clock, 1 x RS-232 + 1 x RS-422/485, max. 16 I/O modules, communication module control function, memory card control function, 1 $\mu$ s cycle time
EH-CPU516	64 kByte Program memory, real-time clock, 1 x RS-232 + 1 x RS-422/485, max. 33 I/O modules, communication module control function, memory card control function, 0.1 $\mu$ s cycle time
EH-CPU548	192 kByte Program memory, real-time clock, 1 x RS-232 + 1 x RS-422/485, max. 55 I/O modules, communication module control function, memory card control function, 0.1 $\mu$ s cycle time

### Memory Cards

Model	Specifications
EH-MEMP	Memory copy function, 192 kByte Flash memory
EH-MEMD	Memory copy function, 64 kByte flash memory, 384 kWord flash data memory

### Base Racks

Model	Specifications
EH-BS3A	Slots for 3 I/O modules + power supply module + CPU module
EH-BS5A	Slots for 5 I/O modules + power supply module + CPU module
EH-BS8A	Slots for 8 I/O modules + power supply module + CPU module
EH-BS11A	Slots for 11 I/O modules + power supply module + CPU module

### Power Supplies

Model	Specifications
EH-PSA	Input AC 100 - 240V, Output DC 5V, 3.8A, separate, external DC 24V, 0.4A
EH-PSD	Input DC 24V, Output DC 5V, 3.8A

### I/O Controller

Model	Specifications
EH-IOCH2	I/O controller module, (one unit / one expansion base, EH-CPU104A is not expandable)
EH-IOCP	Profibus-DP slave I/O controller
EH-IOCD	DeviceNet slave I/O controller

### High Function Modules

Model	Specifications
EH-CU	High speed counter module, max. 100 kHz, 32 bits, 2 channels
EH-CUE	High speed counter module, max. 100 kHz, 32 bits, 1 channel
EH-POS	1 Axis positioning module, max. frequency 400k pulse/s
EH-POS4	4 Axes positioning module, max. frequency 1M pulse/s



Series

## Communication Modules

Model	Specifications
<b>EH-SIO</b>	Serial communication module (RS-232C/RS-422/485, Hi-Protocol, Modbus master/slave protocol)
<b>EH-LNK</b>	CPU Link module, coaxial cable
<b>EH-RMD</b>	DeviceNet based master module for distributed I/O system, 1024 points per master module, 63 slave stations can be connected to one master
<b>EH-RMP</b>	Profibus-DP based master module for distributed I/O system, 1024 points per master module, 124 slave stations can be connected to one master
<b>EH-ETH</b>	Ethernet module TCP/IP/, UDP/IP protocol, 10Mbps

## Analog Output Modules

Model	Specifications
<b>EH-AY4I</b>	Analog output, 12 bits resolution 4ch current (4 - 20 mA)
<b>EH-AY4V</b>	Analog output, 12 bits resolution 4ch voltage (0 - 10 V)
<b>EHAY4H</b>	Analog output, 12 bits resolution 4ch voltage (-10 to + 10V)
<b>EH-AY22</b>	Analog output, 12 bits resolution 2ch current (4 - 20 mA) + 2ch voltage (0 - 10 V)
<b>EH-AY2H</b>	Analog output, 12 bits resolution 2ch voltage (-10 to +10V)
<b>EH-AYH8M</b>	Analog output, 12 bits resolution 8ch [voltage (0 - 10V), or current (0 - 22mA, 4 - 22mA)]

## Output Modules

Model	Specifications
<b>EH-YT8</b>	8 points, DC 12/24V, transistor output, removable terminal block, sink type, 0.5 A
<b>EH-YT16</b>	16 points, DC 12/24V, transistor output, removable terminal block, sink type, 0.5 A
<b>EH-YT32</b>	32 points, DC 12/24V, transistor output, connector type, sink type, 0.2 A
<b>EH-YT32E</b>	32 points, DC 12/24V, transistor output, european connector type, sink type, 0.2 A
<b>EH-YT64</b>	64 points, DC 12/24V, transistor output, connector (2x) type, sink type, 0.1 A
<b>EH-YTP8</b>	8 points, DC 12/24V, transistor output, removable terminal block, source type, 0.5 A
<b>EH-YTP16</b>	16 points, DC 12/24V, transistor output, removable terminal block, source type, 0.5 A
<b>EH-YTP16S</b>	16 points, DC 12/24V, Transistor Output, Removable Terminal Block, Source Type, 0.8 A, short circuit protection
<b>EH-YTP32</b>	32 points, DC 12/24V, transistor output, connector type, source type, 0.2 A
<b>EH-YTP32E</b>	32 points, DC 12/24V, transistor output, european connector type, source type, 0.2 A
<b>EH-YTP64</b>	64 points, DC 12/24V, transistor output, connector (2x) type, source type, 0.1 A
<b>EH-YS4</b>	4 points, AC 100 - 240V, 0.5 A, SSR, photocoupler isolation, removable terminal block
<b>EH-YR12</b>	12 points, AC 100 - 240 / DC 24V, relay output 2 A, photocoupler isolation, removable terminal block
<b>EH-YR16</b>	16 points, AC 100 - 240 / DC 24V, relay output 2 A, photocoupler isolation, removable terminal block
<b>EH-YR8B</b>	8 points, AC 100 - 240 / DC 24V, relay Output 2 A, photocoupler isolation, removable terminal block, potential free contacts

es EH-150



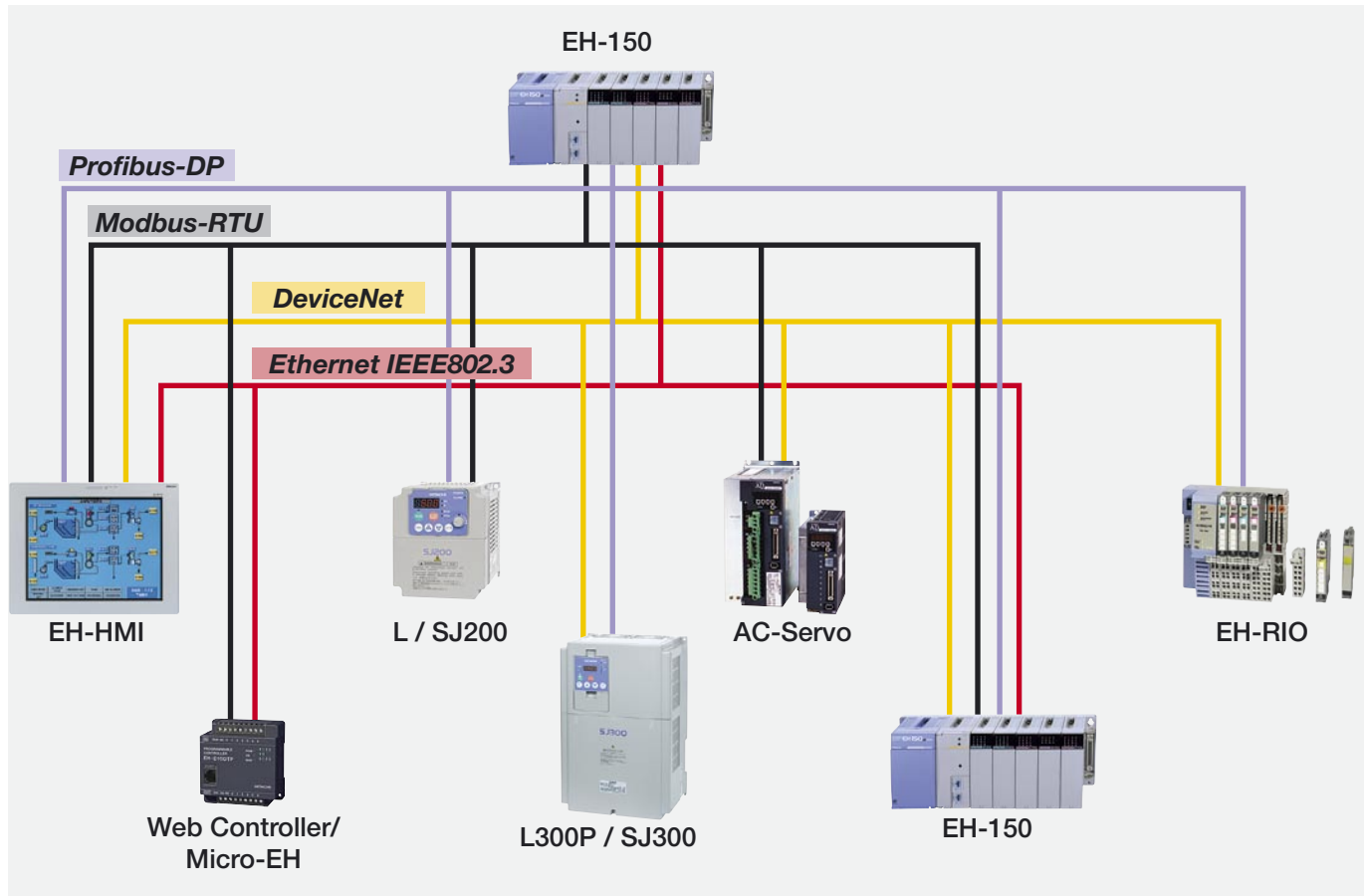
## Analog Input Modules

Model	Specifications
<b>EH-AX44</b>	Analog input, 12 bits resolution 4ch current (4 - 20 mA) + 4ch voltage (0 - 10 V)
<b>EH-AXH8M</b>	Analog input, 14 bits resolution, 8ch [voltage (0 - 10V, -10V to + 10V) or current (0 - 22 mA, 4 - 22 mA)]
<b>EH-PT4</b>	PT100/1000 input, 4ch, 12 bits resolution
<b>EH-TC8</b>	Thermocouple input module, 8 channels, type K, E, J, T, B, R, S, N

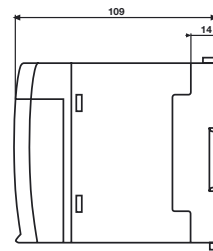
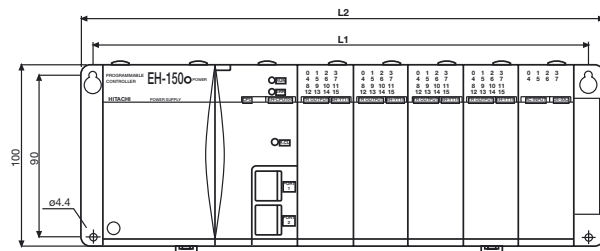
## Input Modules

Model	Specifications
<b>EH-XD8</b>	8 points, DC 24 V input, source/sink, photocoupler isolation, removable terminal block
<b>EH-XD16</b>	16 points, DC 24 V input, source/sink, photocoupler isolation, removable terminal block
<b>EH-XD32</b>	32 points, DC 24 V input, source/sink, photocoupler isolation, connector type
<b>EH-XD32E</b>	32 points, DC 24 V input, source/sink, photocoupler isolation, european connector type
<b>EH-XD64</b>	64 points, DC 24 V input, source/sink, photocoupler isolation, connector (2x) type
<b>EH-XA16</b>	16 points, AC 85 - 132 V input, photocoupler isolation, removable terminal block
<b>EX-XAH16</b>	16 points, AC 170 - 264 V input, photocoupler isolation, removable terminal block

## Communication Possibilities EH-150



## EH-150 Series Dimensions



Unit: mm

Type	EH-BS11A	EH-BS8A	EH-BS5A	EH-BS3A
I/O slot number	11	8	5	3
L1 mm	447	357	267	207
L2 mm	462.5	372.5	282.5	222.5

### Hitachi Europe GmbH

Am Seestern 18 · D-40547 Düsseldorf  
 Tel. +49-211-52 83 -0 · Fax +49-211-52 83 -649  
 Internet: [www.hitachi-ds.com](http://www.hitachi-ds.com)  
 E-Mail: [info@hitachi-ds.com](mailto:info@hitachi-ds.com)

